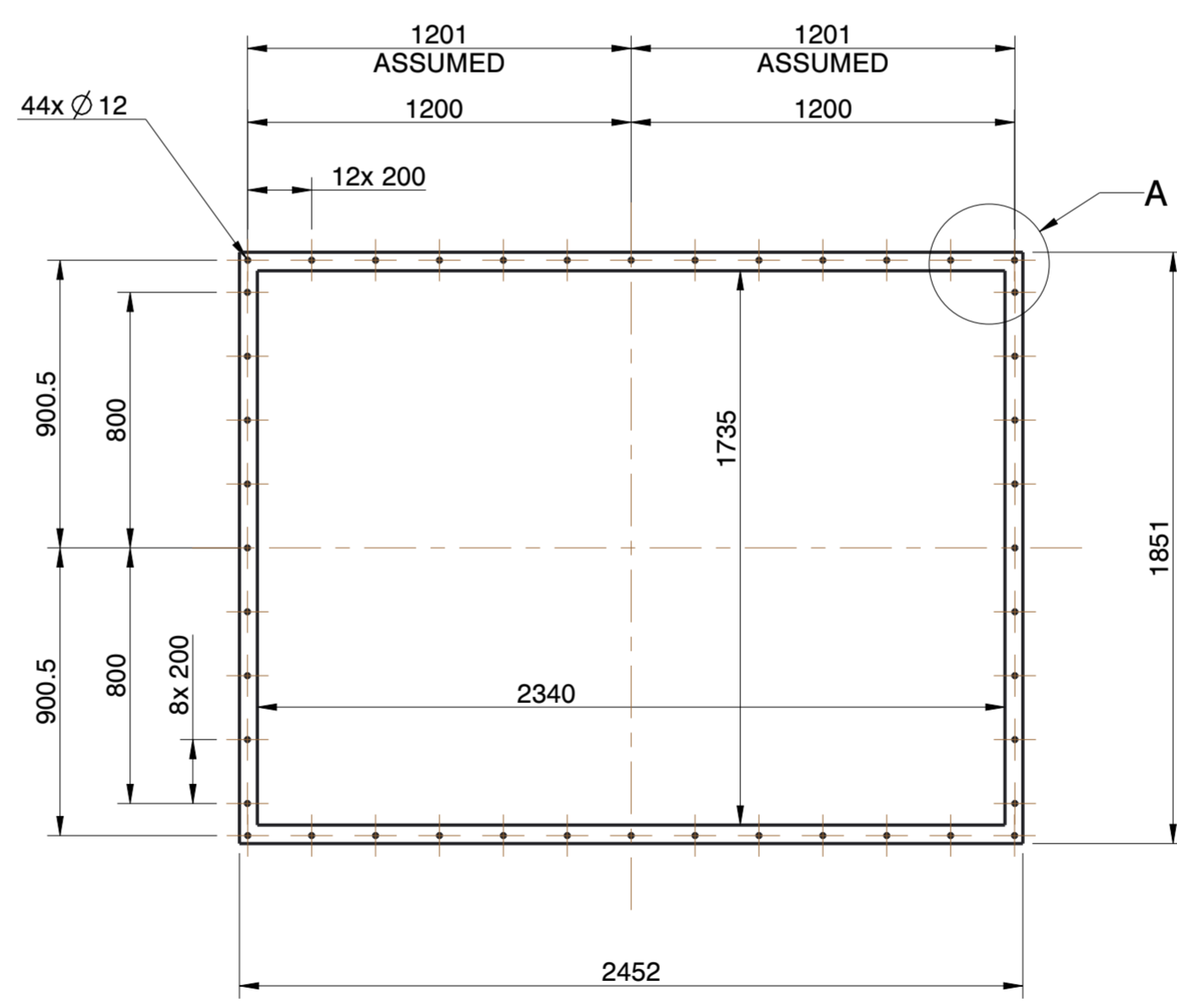
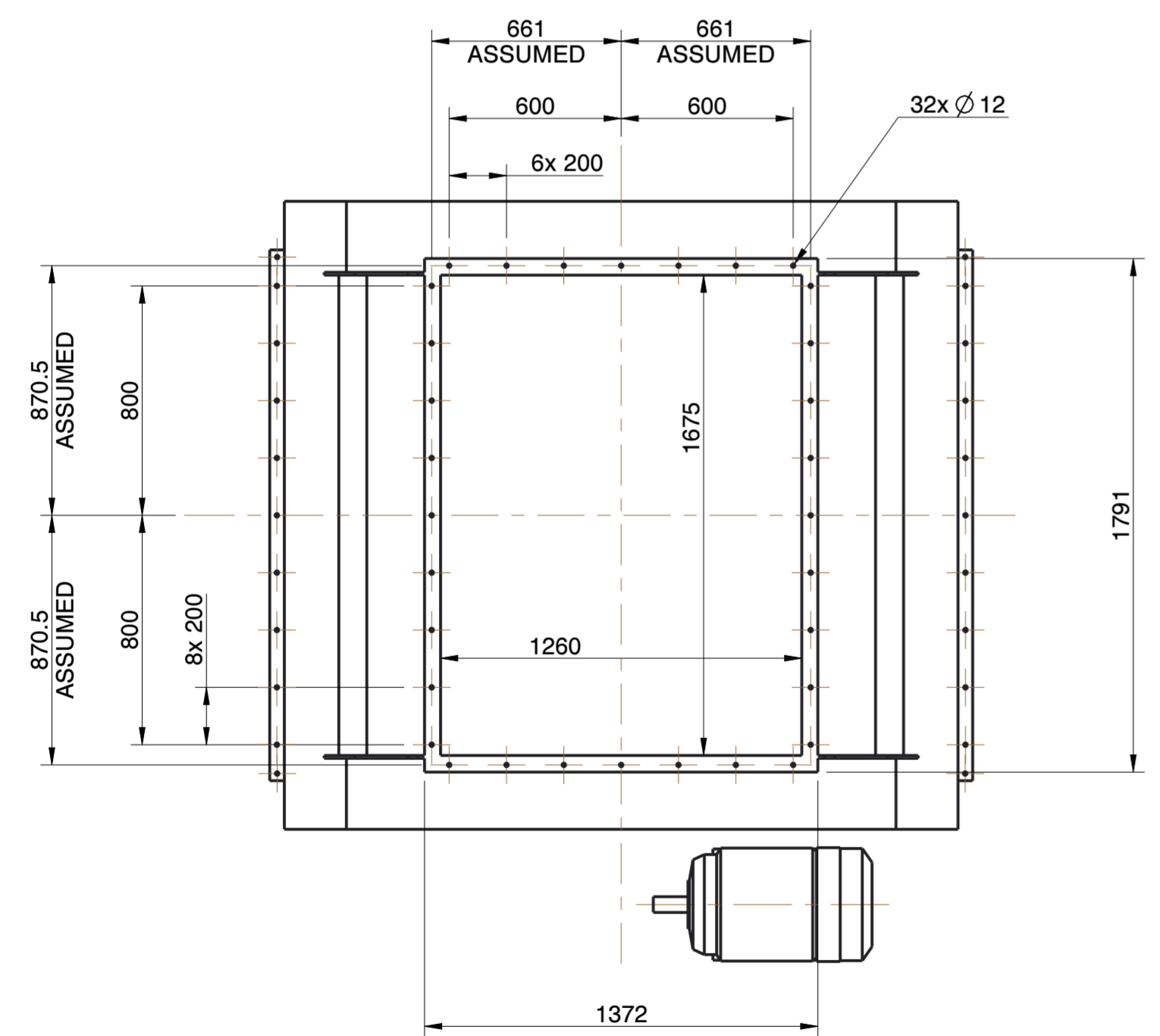
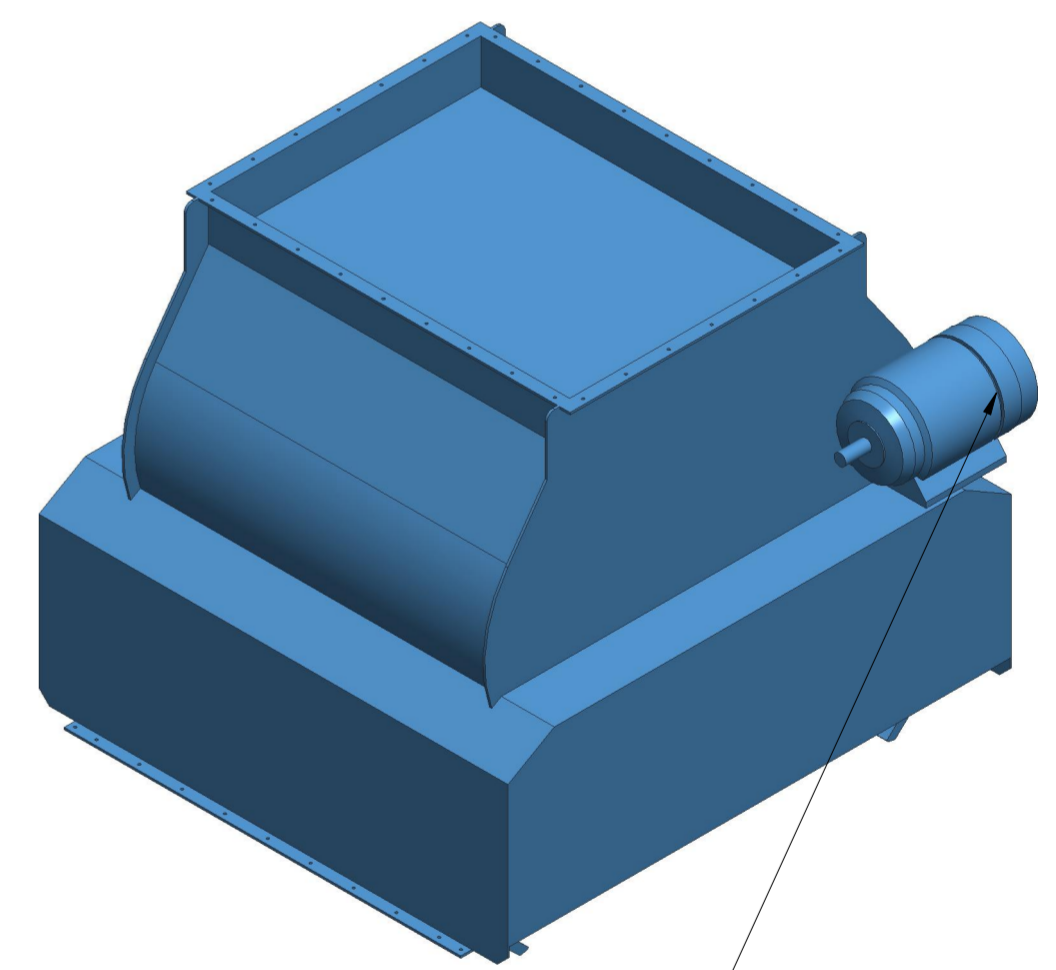


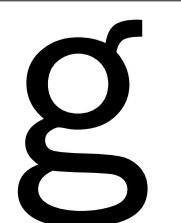
DETAIL A
SCALE 1:3



OUTLET FLANGE DETAIL



MOTOR IN THIS POSITION



MIXER KEY DIMENSIONS

1	
2	
3	
4	
5	
6	

Golconda

Links House Unit E3 Southglade Business Park
Cowlairs Off Hucknall Road Nottingham NG5 9RA
Tel: 0115 977 1101 Fax: 0115 977 0047
web: www.golconda.co.uk
email: enquiries@golconda.co.uk

Drawn: M.Hockenull.	Scale: 1:20 (A2)	Project	Set	Sheet	Of	Rev'n
Checked:	Date: 12/02/18			1	1	1

